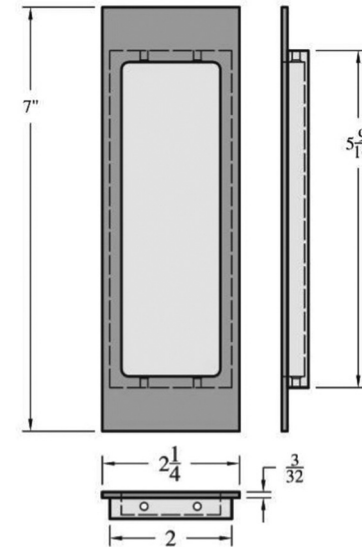


# AC.CS2002B

Product Category: Sliding

Mill: Accurate Lock & Hardware



## Product Description:

Flush Pull, Concealed Fasteners, Blank

## Variable Attributes:

- Finish

[Click Here to View Manufacturer's Available Finish Options](#)

 **CHICAGO  
BRASS**  
ARCHITECTURAL HARDWARE

220 West Kinzie Street, Suite 400  
Chicago, IL 60654  
(312) 245-0200

Last Edit Date: 09/26/17  
Edited by: BKE